

30 JAN 1969

AGAH-A

SUBJECT: Shoulder Sleeve Insignia for the 40th Armored Brigade, Allotted to the California Army National Guard

Commanding General  
40th Armored Brigade  
3440 South Hope Street  
Los Angeles, California 90007

1. A shoulder sleeve insignia for the 40th Armored Brigade, allotted to the California Army National Guard is authorized. It is described as follows:

DESCRIPTION

On a shield arched at top and base 3 inches in height overall divided horizontally blue and red all within a 1/8 inch yellow border a yellow sun eight rays between two yellow lightning flashes with points diagonally downwards to center base.

SYMBOLISM

The color yellow is for Armor, blue for Infantry and red for Artillery. The Brigade's home state of California is symbolized by the sun and alludes to the State's nickname "The Golden State." The lightning flashes are symbolic of the awesome striking power and deadly accuracy of the combined organization.


2. The shoulder sleeve insignia will be worn as prescribed in AR 670-5.
3. This authorization letter will become a permanent file of the organization in accordance with File No. 206-06, Organizational history files, AR 345-210.
4. This authorization is in accordance with:
  - a. Paragraph 14-16a, AR 670-5, 23 September 1966.

30 JAN 1969

AGAH-A

SUBJECT: Shoulder Sleeve Insignia for the 40th Armored Brigade, Allotted  
to the California Army National Guard

b. Letter NG-AROTO 1002 01, California, Reorganization Authority  
Number 77-67, Subject: Reorganization of the Army National Guard, 20 December  
1967, effective 29 January 1968.



G. W. DUNDAS  
LTC, AGC  
Commanding



DEPARTMENT OF THE ARMY  
THE INSTITUTE OF HERALDRY, UNITED STATES ARMY  
CAMERON STATION, ALEXANDRIA, VIRGINIA 22314

28 SEP 1976

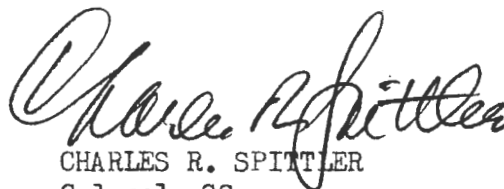
DAAG-HDA

MEMORANDUM FOR RECORD

SUBJECT: Distinctive Insignia for the 40th Armored Brigade, Allotted to  
the California Army National Guard

1. The distinctive badge approved for the 40th Armored Brigade by letter AGAH-A, this Institute, subject as above, dated 19 September 1969, is rescinded this date.
2. The above action is taken in accordance with Reorganization Authority Number 173-73, NGB-ARO-O 207-02-CA, National Guard Bureau, Subject: Reorganization of California ARNG Units, dated 28 December 1973, extract of which is attached. The 40th Armored Brigade was broken up 13 January 1974 and Headquarters and Headquarters Company was redesignated Headquarters and Headquarters Company, 1st Brigade, 40th Infantry Division.
3. HHC 1st Bde, 40th Infantry Division is not entitled to inherit the distinctive badge of the 40th Armored Brigade; it will wear that approved for the non-color bearing units of the 40th Infantry Division.

1 Incl  
as

  
CHARLES R. SPITTLER  
Colonel, GS  
Director

CF: D&I Div (Info)  
Tech Div (Info)  
Supply (Action)

AGAH-A

19 SEP 1969

SUBJECT: Distinctive Insignia for the 40th Armored Brigade, Allotted to the California Army National Guard

Commanding Officer  
40th Armored Brigade (Sep)  
3440 South Hope Street  
Los Angeles, California 90007

1. A distinctive insignia for the 40th Armored Brigade is authorized. It is described as follows:

DESCRIPTION

A gold color metal and enamel device 1 3/16 inches in height overall consisting of two gold bolo knives, points up saltirewise surmounted by a red pagoda all in front of and above a blue continuous scroll the inscription in base "Armipotent" in gold letters.

SYMBOLISM

Blue, red and yellow are the colors used for Armored Brigades. The bolo knives symbolize service in the Philippines where they received a Philippine Presidential Unit Citation. The Paekche Pagoda, a famous Korean building, alludes to the organization's service in Korea for which they were awarded the Republic of Korea Presidential Unit Citation.

2. The distinctive insignia will be worn as prescribed in AR 670-5.


3. This authorization letter will become a permanent file of the organization in accordance with File No. 206-06, Organizational history files, AR 345-210.

AGAH-A

19 SEP 1969


SUBJECT: Distinctive Insignia for the 40th Armored Brigade, Allotted to  
the California Army National Guard

4. This authorization is in accordance with letter NG-AROTO 1002-01 -  
California, Reorganization Authority No. 77-67, subject: Reorganization  
of the Army National Guard, the National Guard Bureau, 20 December 1967.

  
G. W. DUNDAS  
LTC, AGC  
Commanding

CF: OCMH (2)

D&I Div.

Concurrence: Chief, D&I Div. 

*mc*  
*pm*  
*pk*

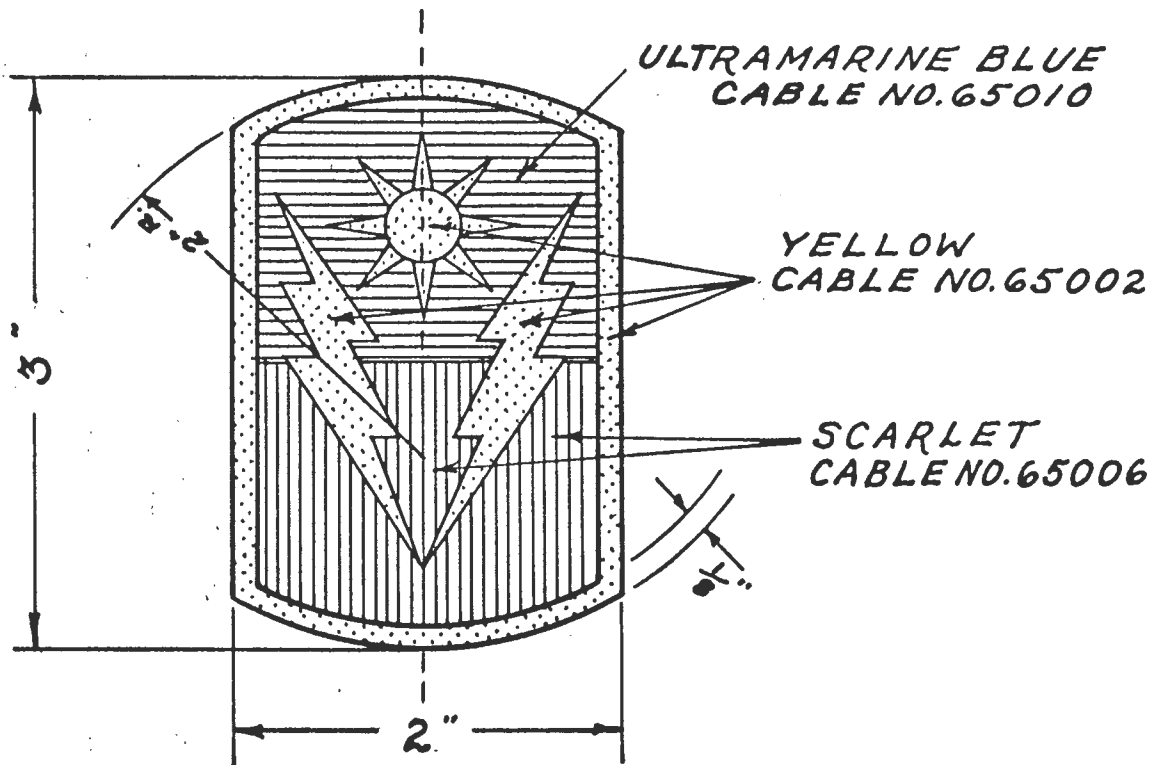
REVISIONS

FOR SUBDUED INSIGNIA  
 RED AND BLUE BACK-  
 GROUNDS TO BE  
 OD #66021  
 SUN, LIGHTNING FLASHES  
 AND BORDER TO BE  
 BLACK CABLE NO. 65018

DESCRIPTION

DATE

APPROVED



UNLESS OTHERWISE SPECIFIED DIMENSIONS ARE IN INCHES TOLERANCES ON FRACTIONS DECIMALS ANGLES

MATERIAL:

EXAMINED	TIP	
CHECKED	TIP	
PREPARED	MFR	

APPROVED  
*Gerald W. Dundas*  
 GERALD W. DUNDAS, LTC,  
 AGC, COMMANDING

THE INSTITUTE OF HERALDRY, U.S. ARMY  
 CAMERON STATION ALEXANDRIA, VA. 22314

SHOULDER SLEEVE INSIGNIA  
 40TH ARMORED BRIGADE

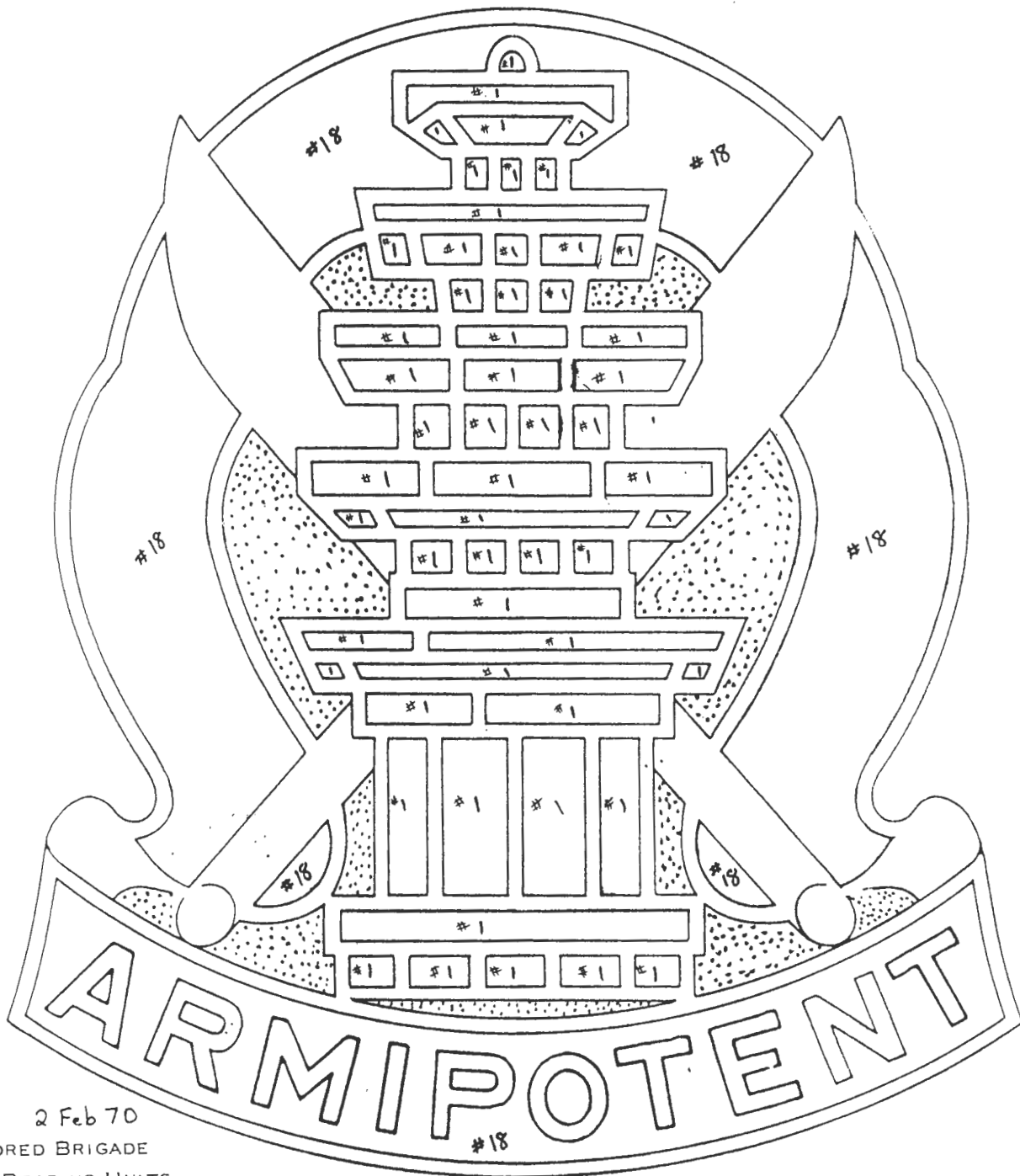
SIZE	CODE IDENT. NO.	A-1-514
A	22571	
SCALE 1-1	DATE	4 FEBRUARY 1969





SUGGESTED DESIGN  
SHOULDER SLEEVE INSIGNIA  
40TH ARMORED BRIGADE

LYONS



D-4618 2 Feb 70  
 40TH ARMORED BRIGADE  
 NONCOLOR BEARING UNITS  
 CALIFORNIA ARMY NATIONAL GUARD

ACTUAL SIZE  $1 \frac{3}{16} \pm \frac{1}{64}$ "

METAL COLOR---GOLD  
 FINISH-----MIRROR-LIKE POLISH  
 DEVICE-----  
     ENAMEL---VITREOUS OPAQUE  
     CHARGES---FLUSH---DETAILS INCISED  
 LETTERING-----BASE METAL  
 PIERCING-----NONE---BACKGROUND RECESSED & TEXTURED  
 CHIP NO.-----BLUE #18 RED #1





40TH ARMORED BRIGADE  
NONCOLOR BEARING UNITS  
CALIFORNIA ARMY NATIONAL GUARD

ACTUAL SIZE  $1\frac{3}{16}'' \pm \frac{1}{64}''$

METAL COLOR---GOLD  
FINISH-----MIRROR-LIKE POLISH  
DEVICE-----

ENAMEL--VITREOUS OPAQUE  
CHARGES--FLUSH--DETAILS INCISED

LETTERING-----BASE METAL  
PIERCING-----NONE--BACKGROUND RECESSED & TEXTURED  
CHIP No.-----BLUE #18 RED #1

**DISTINCTIVE INSIGNIA BADGE  
40TH ARMORED BRIGADE**

**NONCOLOR BEARING UNITS  
CALIFORNIA ARMY NATIONAL GUARD**

**30 APRIL 1969**

